



Main Features:-

- ◆ Wafer To Suit PN10, Unidirectional
- ◆ Rated PN10 2" to 6", PN8 8", PN7 10", PN6 12" & 14", PN5 16"
- ◆ 40001: Body GG25, Gate SS 304
- ◆ 40003: Body CF8M, Gate SS 316

*Temperature and pressure determined by valve body, seat etc.



Suitable Applications & Approvals:



INDUSTRY

SERIES: 40001/40003

MANUFACTURER: **AVOL**
INDUSTRIAL VALVES

Design

Center body consists of 1 part to be mounted between two flanges according to EN 1092-1 type 11 form B -PN10 (former DIN 2501), ANSI 150 on request.

Media

liquid and soiled media with fibre particles, viscous media, drain water, sludge, food etc. (plastic granulates, powder, sand or similar media on request). Not suitable for steam.

Specification

Body	GG-25 (grey cast iron), polyester-coated (heat treatment by 190°C, 20min) or stainless steel 1.4408
Seals	metal/metal, NBR, EPDM (FKM or PTFE on request)
Gland	3-piece sealing set: 2 x natural fibre, PTFEcoated 1 x NBR-, EPDM or FKM-ring
Knife	stainless steel 1.4301 or 1.4401
Stem	stainless steel 1.4301 or 1.4401
Handwheel	steel, lacquered
Pressure discharge	one-sided, two-sided on request
Stem	not rising
Temperature ratings	metal: on request NBR: -25°C ... +90°C EPDM: -35°C ... +120°C PTFE, FKM, Silicone – on request
Face to face	EN 558-1 row 20
Leaking rate	Please note that you have to calculate for all metallic sealing knife-gate-valves with a leaking rate of appr. 0.4% of the Kv-value (for liquid media).

ALL VALVES ONLINE

Offering a full range of actuated valve packages, manual valve range, pipe fittings and pumps, we have a product for all your requirements. As an ISO 9001-2015 Quality Approved and certified company, All Valves offer a quality service from pre-sale to post sale.



T +44 (0)1386 552369

E sales@allvalves.co.uk

W www.allvalves.co.uk

F +44 (0)1386 554227





Knife Gate Valves

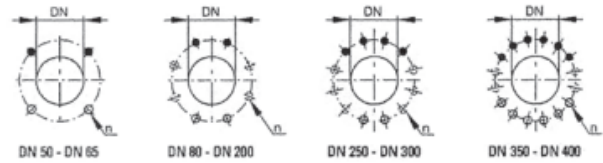
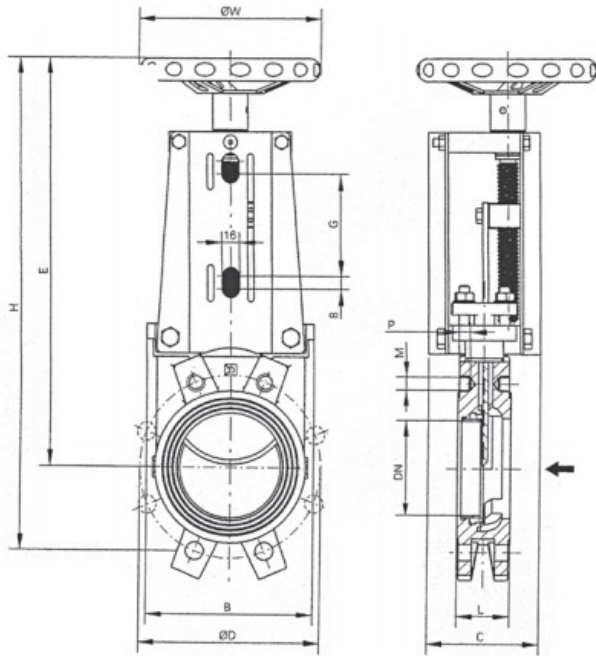
ALLVALVES ONLINE



AVOL
INDUSTRIAL VALVES

AVOL valves are our range of industrial valves selected by our experienced technical sales team.

SERIES: 40001/40003

DN	ØD	H	L	E	B	C	G	W	n	M	P			Bar	Kg
50	125	372	43	328	116	102	53	200	4	M16	8	2	2	10	8
65	145	405	46	354	131	102	53	200	4	M16	9	2	2	10	9
80	160	441	46	367	146	102	82	200	8	M16	9	2	2	10	10
100	180	479	52	396	166	112	102	200	8	M16	9	2	2	10	13
125	210	510	56	413	197	112	130	250	8	M16	9	2	2	10	17
150	240	573	56	462	222	112	156	250	8	M20	10	2	2	10	220
200	295	714	60	578	275	130	205	350	8	M20	10	2	2	8	34
250	350	878	68	709	332	130	270	350	12	M20	12	4	2	7	50
300	400	1010	78	815	386	130	320	350	12	M20	12	4	2	6	66
350	460	1180	96	955	437	196	340	400	16	M20	20	6	6	6	CA.105
400	515	1311	100	1059	491	196	388	400	16	M40	23	6	6	5	CA.135



 Threaded blind hole  Through hole

VALVE DIMENSIONS



T +44 (0)1386 552369

W www.allvalves.co.uk

E sales@allvalves.co.uk

F +44 (0)1386 554227